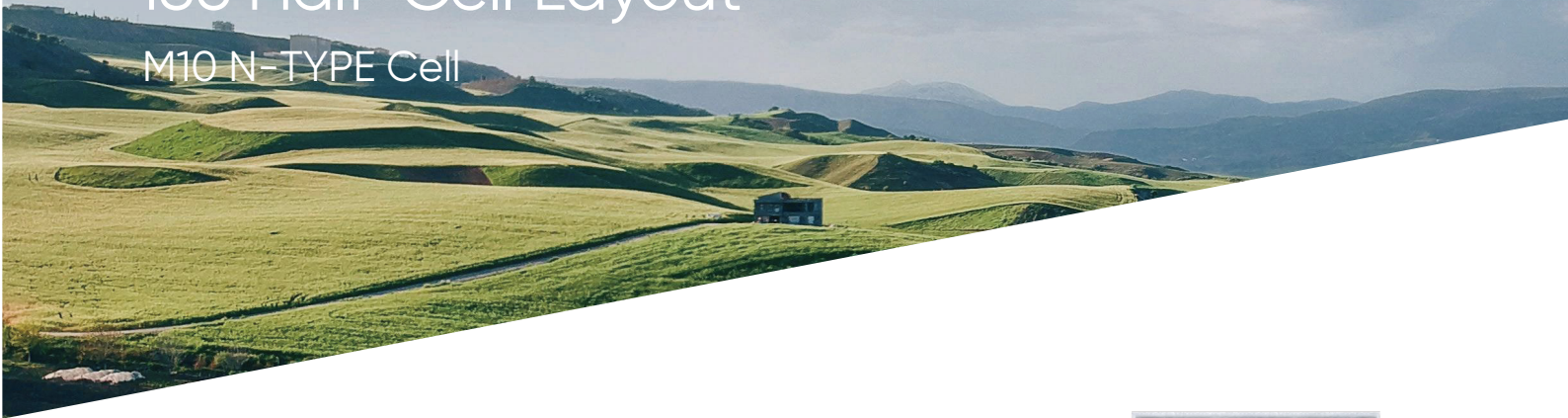


620-640W Mono

156 Half-Cell Layout

M10 N-TYPE Cell



N-TYPE TOP CON Cell Technology



SMBB Half Cut Cell Technology



Bifacial Cell Module Technologies



Excellent Anti-PID Low LID Performance



Less Hot Spot Shading Effects



Higher Power Output Lower BOS & LCOE

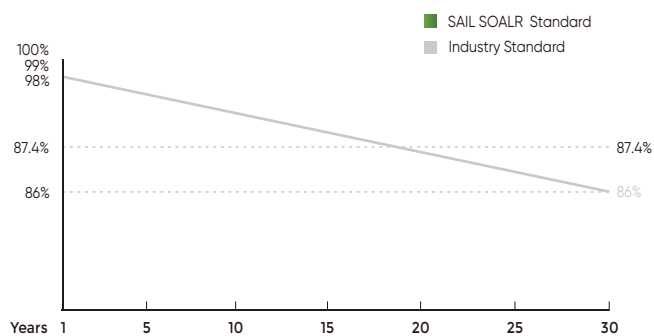
- ISO9001:2015QMS
- ISO14001:2015 EMS
- ISO45001:2018 OHSMS
- IEC61215/IEC61730 Standard Quality
- IEC61701/IEC62716 Salt/Mist/Ammonia Tests



30
years
POWER WARRANTY

15
years
PRODUCT WARRANTY

Linear Performance Warranty



SAIL SOLAR Mono I 620-640

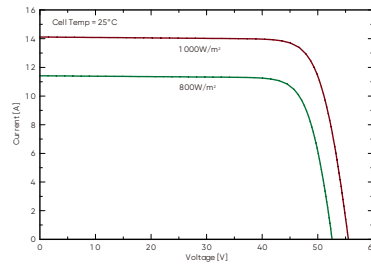
ELECTRICAL PARAMETERS

POWER CLASS	SAS620N-156M10	SAS625N-156M10	SAS630N-156M10	SAS635N-156M10	SAS640N-156M10
	STC	STC	STC	STC	STC
Maximum power (Pmax)	620W	625W	630W	635W	640W
Open Circuit Voltage (Voc)	55.37V	55.56V	55.74V	55.92V	56.04V
Short Circuit Current (Isc)	14.34A	14.40A	14.46A	14.52A	14.60A
Voltage at Maximum power (Vmpp)	45.86V	46.02V	46.19V	46.35V	46.51V
Current Maximum Power (Impp)	13.52A	13.58A	13.64A	13.70A	13.76A
MODULE EFFICIENCY (%)	22.18%	22.36%	22.54%	22.72%	22.90%

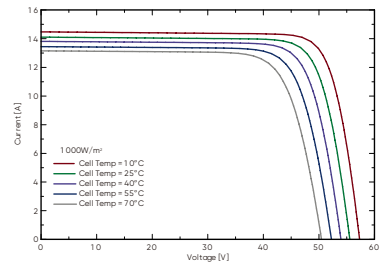
PACKING CONFIGURATION

Container	20'GP	40'HQ
Pieces per pallet	36	36
Pallets per container	4	16
Pieces per container	144	576

I-V CURVE

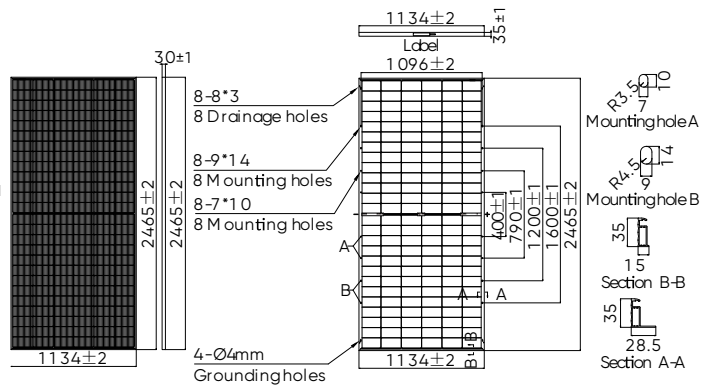


SAS620N-156M10 / I-V



MECHANICAL CHARACTERISTICS

Solar Cells	N-type Mono
No. of Cells	156 (6x26)
Dimensions	2465 x 1134 x 30mm
Weight	35.0kg
Front Glass	3.2mm coated semi-tempered glass
Frame	Anodized aluminium alloy (reinforced high-load optional)
Junction Box	Ip68 rated (3 by pass diodes)
	4.0mm ²
Output Cables	250mm (+) / 350mm (-)
	Length can be customized
Connectors	Mc4 compatible
Mechanical load test	Front 5400Pa / Rear 2400Pa



OPERATING CHARACTERISTICS

Operating Module Temperature	-40°C to +85°C
Maximum System Voltage	1500 DC (IEC)
Maximum Series Fuse Rating	30A
Power Tolerance	0/+5W

TEMPERATURE CHARACTERISTICS

Nominal Operating Temperature (NMOT)	45±2°C
Temperature Coefficient of Pmax	-0.29%/°C
Temperature Coefficient of Pmax	-0.25%/°C
Temperature Coefficient of Pmax	+0.045%/°C