

620-640W Mono

156 Half-Cell Layout BIFACIAL DG

M10 N-TYPE Cell



N-TYPE TOP CON Cell Technology



SMBB Half Cut Cell Technology



Bifacial Cell Module Technologies



Excellent Anti-PID Low LID Performance



Less Hot Spot Shading Effects



Higher Power Output Lower BOS & LCOE

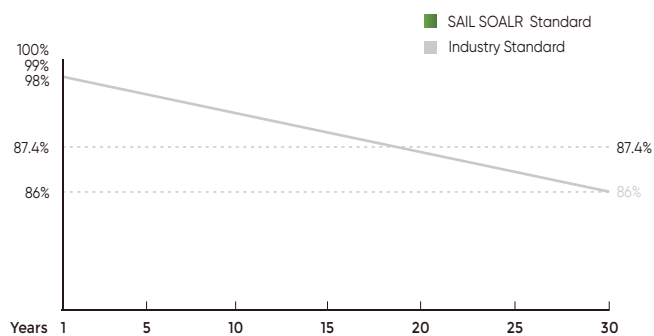
- ISO9001:2015QMS
- ISO14001:2015 EMS
- ISO45001:2018 OHSMS
- IEC61215/IEC61730 Standard Quality
- IEC61701/IEC62716 Salt/Mist/Ammonia Tests



30
years
POWER WARRANTY

15
years
PRODUCT WARRANTY

Linear Performance Warranty



SAIL SOLAR Mono I 620-640 BIFACIAL DG

ELECTRICAL PARAMETERS

POWER CLASS	SAS620N-156M10	SAS625N-156M10	SAS630N-156M10	SAS635N-156M10	SAS640N-156M10
	STC	STC	STC	STC	STC
Maximum power (Pmax)	620W	625W	630W	635W	640W
Open Circuit Voltage (Voc)	55.64V	55.75V	55.87V	55.98V	56.09V
Short Circuit Current (Isc)	14.18A	14.25A	14.32A	14.39A	14.46A
Voltage at Maximum power (Vmpp)	46.03V	46.16V	46.29V	46.42V	46.55V
Current Maximum Power (Imp)	13.47A	13.54A	13.61A	13.68A	13.75A
MODULE EFFICIENCY (%)	22.18%	22.36%	22.54%	22.72%	22.90%

STC: Irradiance 1000W/m², cell temperature 25°C, AM1.5G

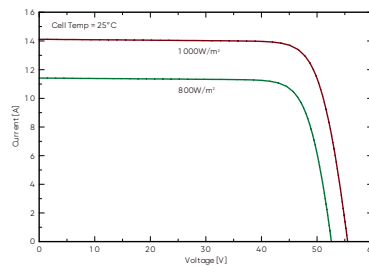
BIFACIAL OUTPUT -REAR SIDE POWER GAIN

5%	Maximum power (Pmax)	651W	656W	662W	667W	672W
	Module Efficiency STC (%)	23.29%	23.48%	23.66%	23.85%	24.04%
15%	Maximum power (Pmax)	713W	719W	725W	730W	736W
	Module Efficiency STC (%)	25.51%	25.71%	25.92%	26.12%	26.33%
25%	Maximum Power (Pmax)	775W	781W	788W	794W	800W
	Module Efficiency STC (%)	27.73%	27.95%	28.17%	28.40%	28.62%

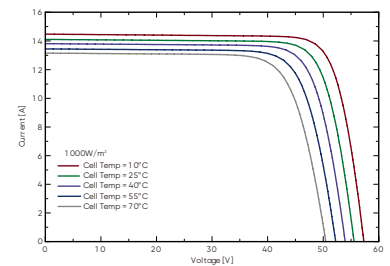
PACKING CONFIGURATION

Container	20'GP	40'HQ
Pieces per pallet	36	36
Pallets per container	4	16
Pieces per container	144	576

I-V CURVE

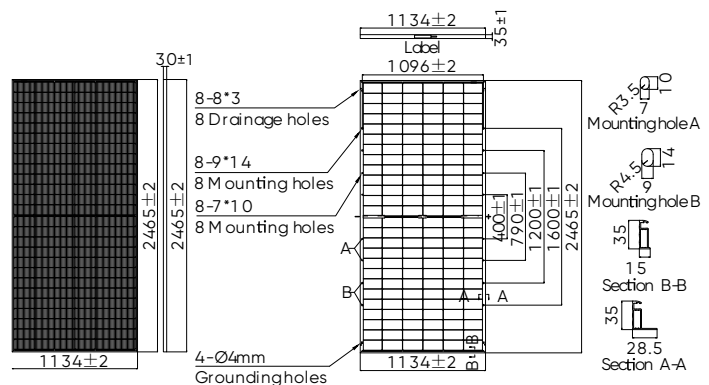


SAS620N-156M10/I-V



MECHANICAL CHARACTERISTICS

Solar Cells	N-type Mono
No. of Cells	156 (6x26)
Dimensions	2465 x 1134 x 30mm
Weight	35.0kg
Front Glass	2.0mm coated semi-tempered glass
Frame	Anodized aluminium alloy (reinforced high-load optional)
Junction Box	Ip68 rated (3 by pass diodes)
	4.0mm ²
Output Cables	250mm (+) / 350mm (-)
	Length can be customized
Connectors	Mc4 compatible
Mechanical load test	Front 5400Pa / Rear 2400Pa



OPERATING CHARACTERISTICS

Operating Module Temperature	-40°C to +85°C
Maximum System Voltage	1500 DC (IEC)
Maximum Series Fuse Rating	30A
Power Tolerance	0/+5W

TEMPERATURE CHARACTERISTICS

Nominal Operating Temperature (NMOT)	45±2°C
Temperature Coefficient of Pmax	-0.29%/°C
Temperature Coefficient of Pmax	-0.25%/°C
Temperature Coefficient of Pmax	+0.045%/°C